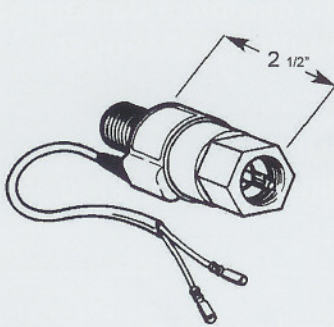


# PREMIUM QUALITY FOR UNEXCELLED RELIABILITY

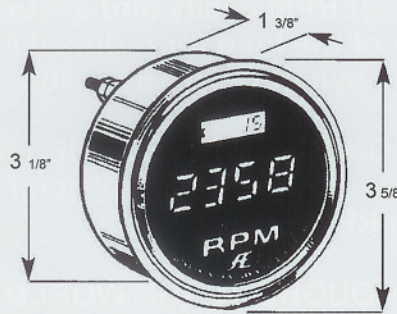
The tachometer measures one of the most important operating parameters of an engine - RPM. Your engine represents a substantial investment. Protect it with quality instrumentation.

Only top quality "mil-spec" workmanship and premium grade materials are used. This includes moisture-proof glass/epoxy circuit boards with double thickness copper and an exceptionally wide temperature range Liquid Crystal Display. The non-magnetic construction uses only brass, stainless steel, and passivated aluminum hardware. The gasketed glass to metal seal is impervious to moisture.

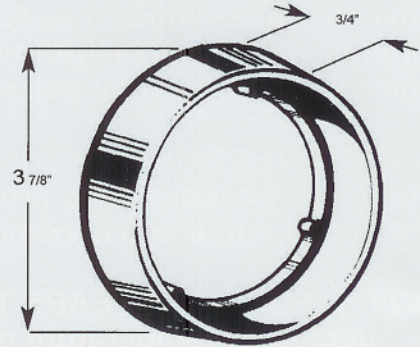
Easy to install on gasoline or diesel engines. Just three wires connect. Self-contained unit easily replaces existing standard-size tachometers. Choice of either polished stainless steel or black anodized aluminum bezel.



**Sender Model 8901**  
For Diesel Engines



**Tachometer Model 8905**  
LCD Readout



**Trim Ring**  
Optional Flat Black  
Trim Ring Bezel

## TACHOMETER SPECIFICATIONS

Tachometer range.....	0 to 9999 Revolutions Per Minute
Tachometer resolution.....	One Revolution Per Minute
Tachometer accuracy.....	Within plus or minus 1 revolution
Tachometer readout type.....	Four fully active LCD digits
Tachometer display intensity.....	Soft backlighting for night viewing
Data update rate.....	Approximately once per second
Ratio settings: switch selectable....	(other ratios by special order)
Gasoline engines.....	3, 4, 6, 8, 12, 16 cycles (4 cycle)
Direct driven alternators.....	3, 4, 6, 8, 12, 16 poles
Diesel.....	2, 3, 4, 6, 8, 12, 16 pulses/rev.
Diesel sender output.....	Eight pulses per sender revolution
Diesel sender drive ratios.....	0.25:1, 0.5:1, 0.75:1, 1.0:1
Diesel sender fittings.....	SAE Marine 7/8-18 mount, 0.187 tip
Nominal input voltage.....	13.6 volts DC
Input voltage range.....	6.8 to 38 volts DC
Power consumption (@13.6 VDC).....	30 mA typical, 50mA maximum
Operating temperature range.....	-10 C to +80 C (+14 F to 176 F)
Storage temperature range.....	-55 C to +82 C (-67 F to +180 F)
Operating humidity range.....	0 to 95% R.H., non-condensing
Package construction.....	Passivated aluminum, non-magnetic
Interconnection terminals.....	Brass studs (3), #8x32
Warranty, limited.....	Two years

## HOUR-METER SPECIFICATIONS

Hourmeter display size.....	1" x 0.03"
Hourmeter range.....	6 digit display (1st digit = 1/10th of hour)
Hourmeter update.....	Update every 6 minutes
Hourmeter accuracy.....	Within plus or minus 0.02%
Input voltage range.....	9 to 38 volts DC
Operating temperature range.....	-40 C to +85 C
Start time.....	250 engine Revolutions per Minute
Data retention.....	Ten years data retention (w/o power)

*Specifications subject to change without notice.*



**AE AETNA ENGINEERING**

0-379 Lake Michigan Dr. NW, Grand Rapids, MI 49544 USA  
Toll Free: 1-800-776-7962 Phone: 231-223-9867 Fax: 231-223-9467  
Email: aetnaengineering@fireboy-xintex.com Web: www.fireboy-xintex.com

REV. 6/04  
101028