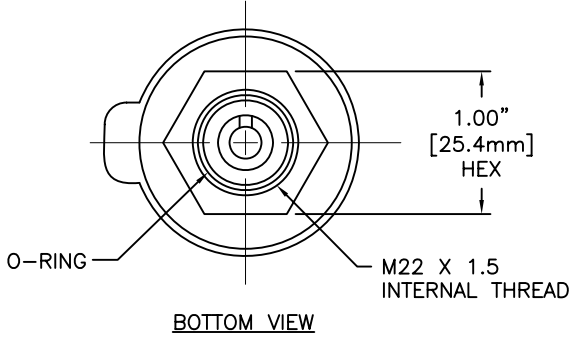


SPECIFICATIONS:

1. FREQUENCY: 8 PULSES PER REV.
2. DC SOURCE IMPEDANCE: 160 ±10 OHMS
3. HOUSING MATERIAL: GLASS-FILLED NYLON
4. BEARING: DOUBLE-OILITE
5. LEAD WIRES: 20 AWG., 19 STRAND

NOTES:

1. SINGLE OUTPUT GENERATOR ALSO AVAILABLE.
2. SPECIAL LENGTHS AND CONNECTORS AVAILABLE.



REVISIONS				TOLERANCES		HEWITT INDUSTRIES OF LOS ANGELES	
REV.	DESCRIPTION	DATE	BY	UNLESS OTHERWISE SPECIFIED:		TITLE:	
1	ENGINEERING RELEASE	07/08/08	EGM	.X =		SIGNAL GENERATOR	
				.XX =		DRAWN BY: E.MARIANO	PART NO. 8902-D-187
				.XXX =		APPR. BY: H.L.FUJITA	
				FRACTIONS =		DATE: 07/08/08	SHEET 1 OF 1
				ANGLES =			
				SCALE: NONE			