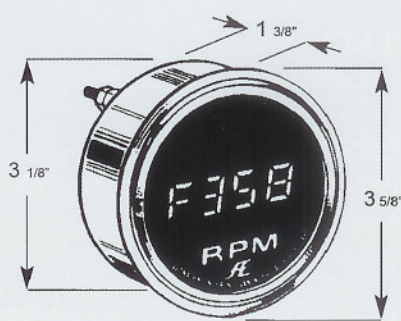


# SELF CONTAINED FOR EASY ECONOMICAL INSTALLATION

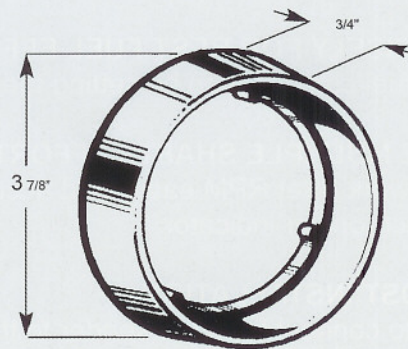
Because direction and shaft speed is of importance for maintaining your underwater gear, Aetna Engineering guarantees this tachometer accurate to ONE RPM.

Only top quality "mil-spec" workmanship and premium grade materials are used. This includes moisture proof glass/epoxy circuit boards with double thickness copper and extremely high intensity readouts. The non-magnetic construction uses only brass, stainless steel, and passivated aluminum hardware. The gasketed glass to metal seal is impervious to moisture.

Easy to install... Just four wires connect the sender to the tachometer. All circuits are contained in the tachometer with no adjustments or calibration ever needed after installation. And no separate black box. Power is supplied by 12, 24, 32 volts or 115 vac with available power module. Choice of either polished stainless steel or black anodized aluminum bezel.



**Tachometer Model 8402-DIR**  
LED Readout



**Trim Ring**  
Available for optional use  
with Black Bezel Tachometer

## TACHOMETER SPECIFICATIONS

Tachometer range.....	0 to 9999 Revolutions Per Minute
Tachometer resolution.....	One Revolution Per Minute
Tachometer accuracy.....	Within plus or minus 1 revolution
Tachometer readout type.....	Three fully active LED digits
Tachometer display intensity.....	Automatic night dimming
Nominal input voltage.....	13.6 volts DC/110 VAC
Alternative 12, 24, 32 VDC, 115 VAC with optional power module	
Power consumption (@13.6 VDC)	
Bright Ambient.....	350 mA typical, 480 mA maximum
Dark Ambient.....	10 mA typical
Operating temperature range.....	-40 C to +85 C (-40 F to +185 F)
Storage temperature range.....	-60 C to +85 C (-76 F to +185 F)
Operating humidity range.....	0 to 95% R.H., non-condensing
Package construction.....	Passivated aluminum, non-magnetic
Interconnection terminals.....	Brass studs (4), #8x32
Warranty, limited.....	Two years

*Specifications subject to change without notice.*

***AE* AETNA ENGINEERING**

0-379 Lake Michigan Dr. NW, Grand Rapids, MI 49534 USA  
Toll Free: 1-800-776-7962 Phone: 231-223-9867 Fax: 231-223-9467  
Email: [aetnaengineering@fireboy-xintex.com](mailto:aetnaengineering@fireboy-xintex.com) Web: [www.fireboy-xintex.com](http://www.fireboy-xintex.com)



REV. 6/05  
17015

