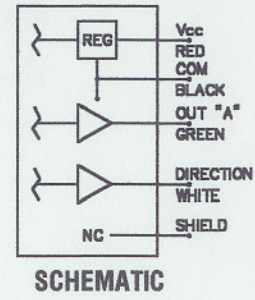
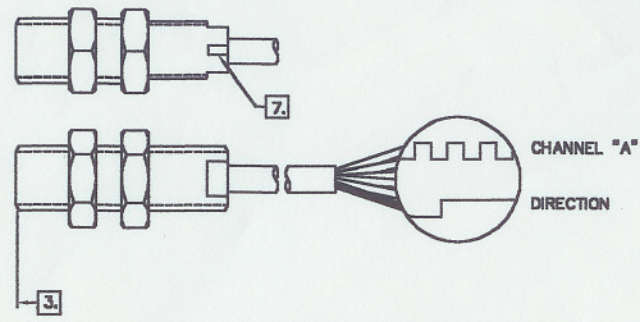
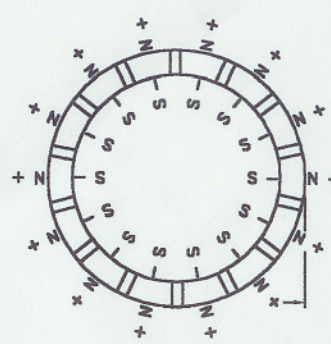
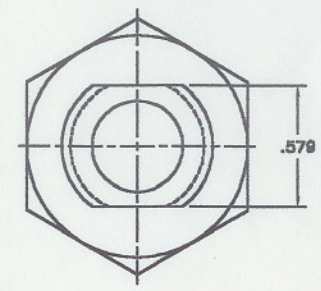
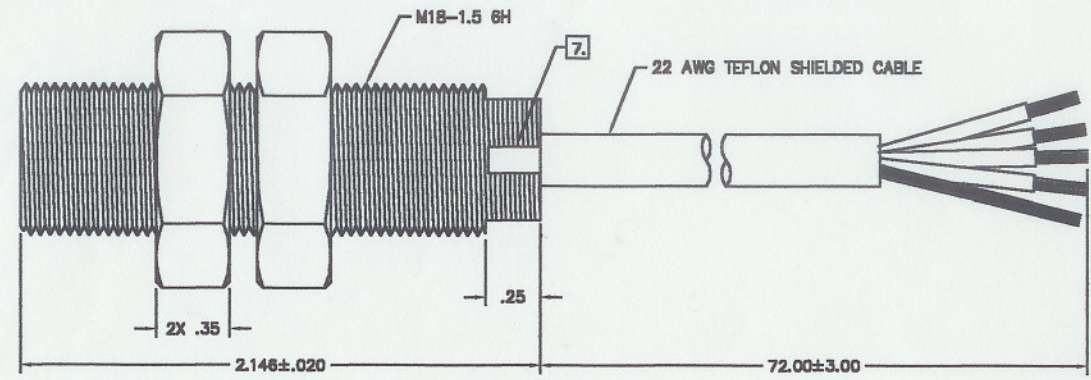
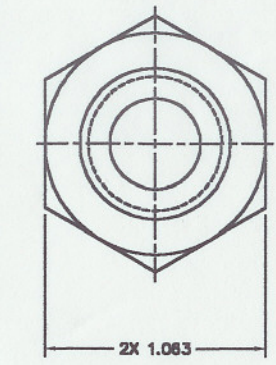


Revised Drawing SS-3



REVISIONS			
LTR	DESCRIPTION	DATE	APPVD
-	PRELIMINARY RELEASE	6.19.02	



**SPECIFICATIONS:**

- INPUT VOLTAGE: 5 TO 24 VDC.
- TARGET: AETNA MAGNETIC STRIP TT100.
- AIRGAP: .059.
- DUTY CYCLE: 50 ± 10%.
- OUTPUT "A": LOGIC 1: 5.5 VDC MIN AT NO LOAD.  
LOGIC 0: 0.8 VDC AT 10 mA SINK.
- DIRECTION OUTPUT: LOGIC 1 IN ONE DIRECTION.
- ROTATION TOWARDS NOTCH PRODUCES A LOGIC 1 HIGH.  
DIRECTION CW: HIGH, DIRECTION CCW: LOW.
- OPERATING TEMPERATURE RANGE: -40°C TO 125°C.
- CASE AND JAM NUT MATERIAL: 303 STAINLESS STEEL.
- FREQUENCY: 0-12 KHz.
- SHORT CIRCUIT PROTECTION: ANY LEAD TO ANY LEAD.
- Vcc OVERVOLTAGE PROTECTION: 40 VDC.
- REVERSE POLARITY PROTECTION: -50 V REVERSE TRANSIENTS.
- LOAD DUMP: 60 V.
- UNIT INCORPORATES SHORT CIRCUIT PROTECTION.
- HOUSING AND JAM NUT MATERIAL: 300 SERIES STAINLESS STEEL.

UNLESS OTHERWISE SPECIFIED DIMENSIONS ARE IN INCHES TOLERANCES ARE FRACTIONS: DECIMALS: ANGLES: ±1/64 .001 ±1/2°		CONTRACT NO.		Aetna Engineering 1.800.776.7962	
MATERIAL		APPROVALS	DATE	DIRECTION DETECTING ZERO SPEED SENSOR	
FINISH		DRAWN A.P.W.	6.19.02		
NEXT ASSY USED ON APPLICATION		CHECKED	APPRVD		
DO NOT SCALE DRAWING		SS-3		SIZE B	CODE INCDENT OLVP6
				DRAWING NO. SK10983	
				SCALE: NONE	SHEET 1 OF 1