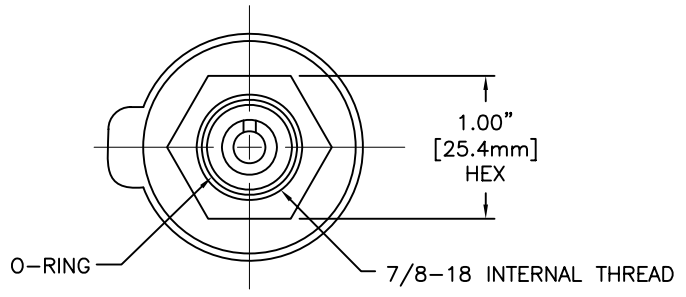
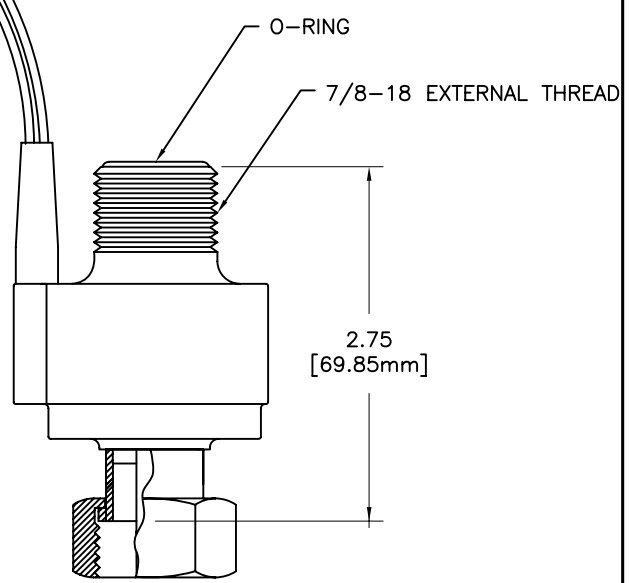
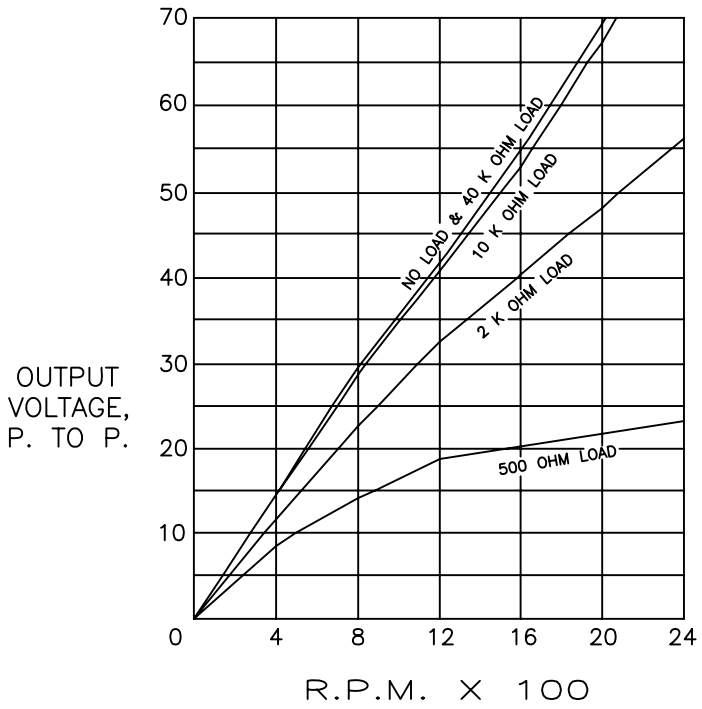
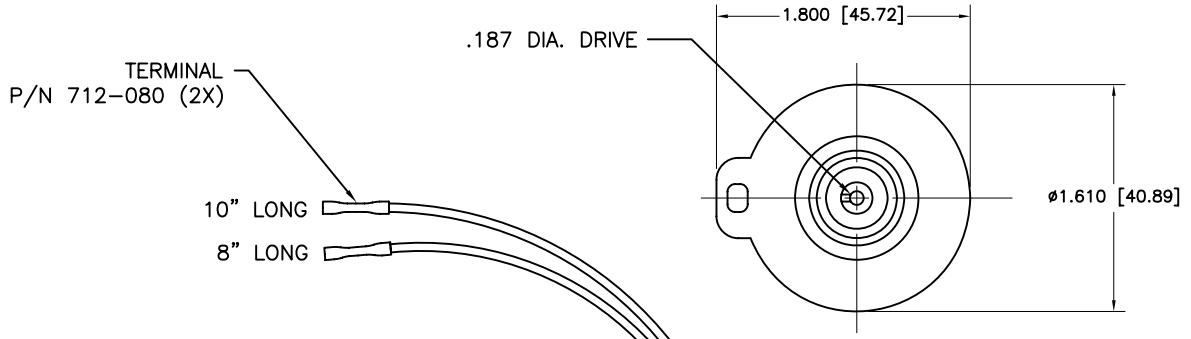


TOP VIEW



BOTTOM VIEW

SPECIFICATIONS:

1. FREQUENCY: 8 PULSES PER REV.
2. DC SOURCE IMPEDANCE: 285 ±10 OHMS
3. INDUCTANCE: 107 mH @ 1000 Hz.
4. HOUSING MATERIAL: GLASS-FILLED NYLON
5. BEARING: DOUBLE-OILITE
6. LEAD WIRES: 18 AWG., 16/19 STRAND.

NOTES:

1. DUAL OUTPUT GENERATOR ALSO AVAILABLE.
2. SPECIAL LENGTHS AND CONNECTORS AVAILABLE.
3. AVAILABLE IN DIN, M22 X 1.5 METRIC THREAD.

AETNA ENGINEERING

| REVISIONS |                   |         |          |     | TOLERANCES   |                | HEWITT INDUSTRIES OF LOS ANGELES |              |               |
|-----------|-------------------|---------|----------|-----|--|----------------|----------------------------------|--------------|---------------|
| REV.      | DESCRIPTION       | EO#     | DATE     | BY  | UNLESS OTHERWISE SPECIFIED:  |                | TITLE:                           |              |               |
| A         | REVISED PER ECO # | ECO 357 | 10/01/07 | EGM | DIMENSIONS ARE IN INCHES,<br>METRIC EQUIVALENTS ARE IN<br>[BRACKETS]:<br>.X = .030 [0.76]<br>.XX = .010 [0.25]<br>.XXX = .005 [0.13]<br>FRACTIONS = 1/32<br>ANGLES = ±1° |                | SIGNAL GENERATOR                 |              |               |
| B         | REVISED PER ECO # | ECO 415 | 07/01/08 | EGM |  |                | DRAWN BY: E. MARIANO             |              | PART NO. 8901 |
|           |                   |         |          |     |  |                | APPR. BY: B. DANKMYER            |              |               |
|           |                   |         |          |     | SCALE: NONE  | DATE: 10/01/07 |                                  | SHEET 1 OF 1 |               |

B